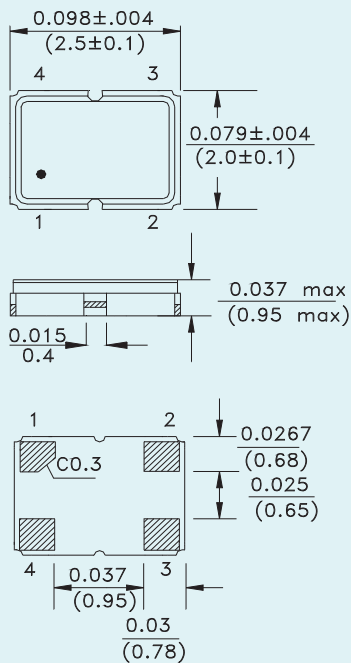


- SMD OSC 2.5×2.0mm
 - Wide Frequency & Voltage range
 - Available 3-State function
 - Excellent heat resistance, high precision, and high stability.
 - Nominal frequency range : 1MHz to 75MHz
 - Mode : Fundamental, 3rd
- Applications : PC, DVD, PDA, TV, HDTV, ISDN, Mobile phone, Gb ethernet.

Standard Specification

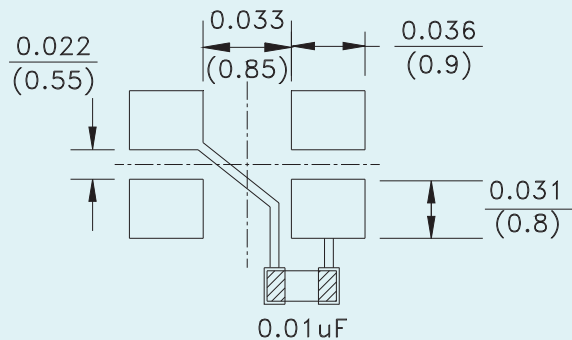
Frequency Range	1MHZ to 75MHZ	
Supply voltage	1.8V, 2.5V, 3.3V	
Current consumption	15mA max	
Temperature Range	Operating	-40°C to +85°C, User spec
	Storage	-55°C to +125°C
Frequency Stability	±100ppm max, User spec	
Output load condition	CMOS 15pF	
Symmetry (Duty)	45% to 55%	
Output rise and fall time (tr/ff)	10ns max	
High output voltage	90% Vdd	
Low output voltage	10% Vdd	
Oscillation start up time	5ms max	
Aging	± 5ppm max	
phase Jitter (12KHZ ~20MHZ)	1 ps max	
Period Jitter (Pk-Pk)	±5ps max	

Dimensions (mm)



Bottom view

Recommended land pattern



PIN	FUNCTION
1	Tri-State (STBY)
2	GND/Case
3	Output
4	Vdd

Note: Recommend using an approximately 0.01uF bypass capacitor between PIN 2 and 4.

Dimensions: inches (mm)